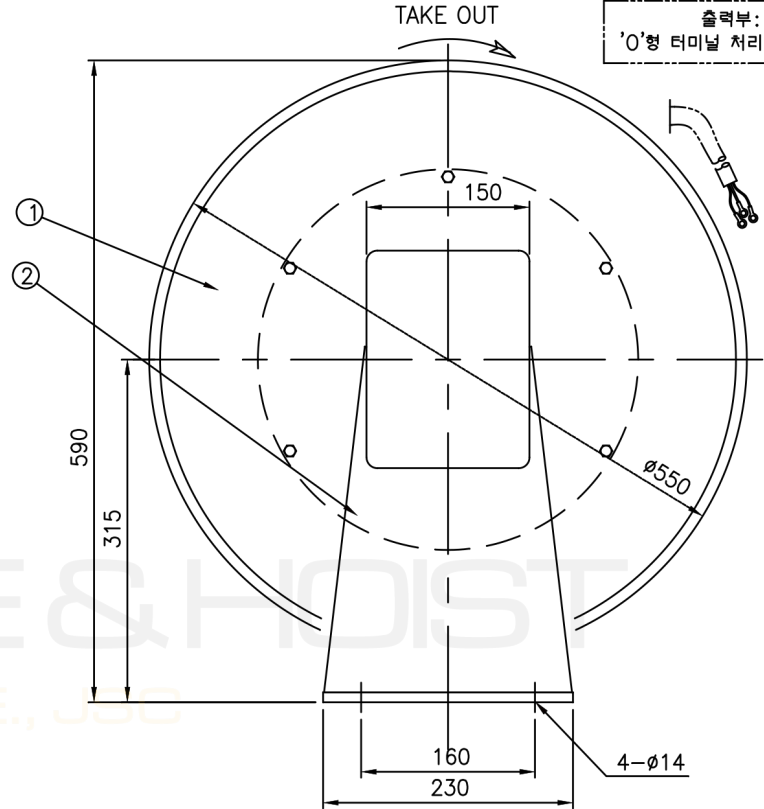
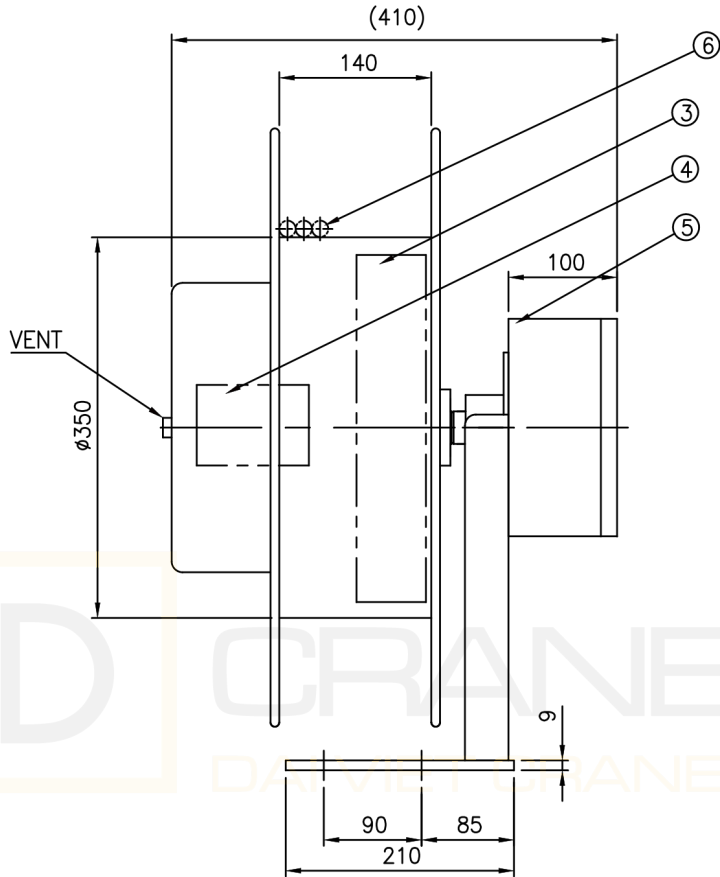
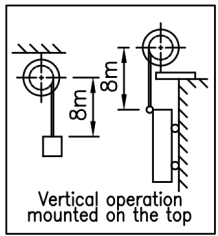
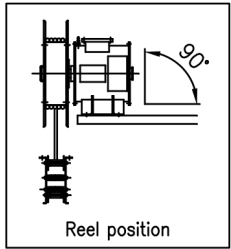
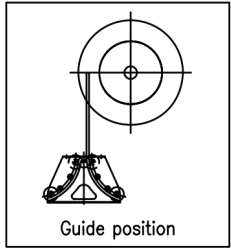


1	2	3	4	5	6
1	2	3	4	5	6
1	2	3	4	5	6

MARK	REASONABLE REVISIONS	DATE	DRAWN	APPR'D
△	ISSUED FOR PROPOSAL	'17.06.19	P.J.U	



SPECIFICATION

- | | | |
|----------------------------------|------------------------------|--|
| 1. Cable | o Spec. : PNCT 16SQx2C | 5. Slip Ring : 80A x 2P |
| | o Size : approx. ϕ 21.4 | 6. Paint Color : M/NO. 7.5BG 6/1.5 |
| | o Weight : approx. 0.75 kg/m | 7. Setting Height : Max. 8 M from G.L. |
| | o Length : 13 M | 8. Q' ty : 1 Set |
| 2. Winding Length : 8 M | | |
| 3. Winding Speed : max. 10 M/MIN | | |
| 4. Winding Torque : 4 Kg.m | | |

6	-	CABLE	PNCT	13M	-
5	-	TERMINAL BOX	PLASTIC	1	-
4	-	SLIP RING	C3771	2	-
3	-	SPRING	ATX	2	-
2	-	FRAME	SPHC	1	-
1	-	DRUM	SPCC	2	-

ITEM	PART NO.	PART NAME	MATERIAL	Q'ty	REMARKS
PROJECTION	3rd ANGLE	DIMENSION UNIT	SCALE	MODEL	ECCV-1613-2
		METRIC (mm)	1 : 7		
CUSTOMER	VNID	PART NAME	ASS'Y		
MODEL COLOR	M/NO. 7.5BG 6/1.5	PART NO.	Z909-9000	REV. NO.	
DRAWING	DESIGN	CHECK	APPROVAL		
SIGN	P.J.U				
DATE	2017.06.19				

